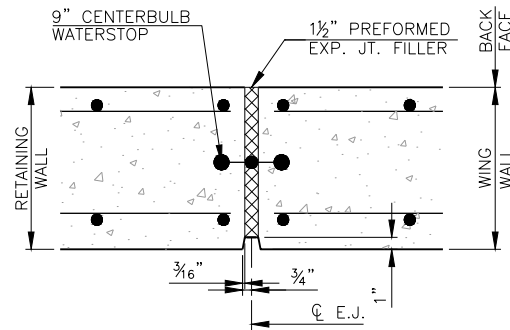
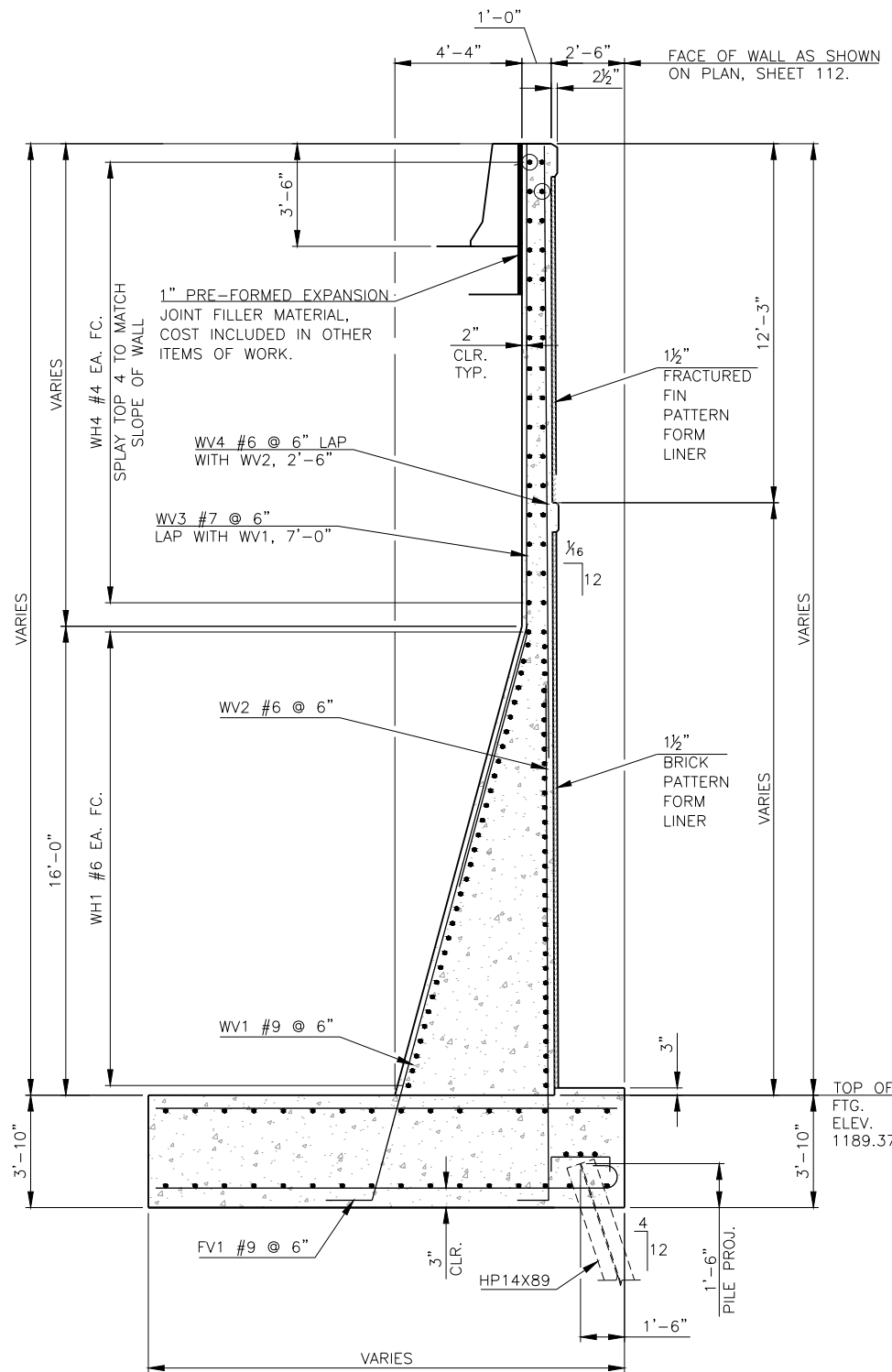


DESCRIPTION	REVISIONS	DATE

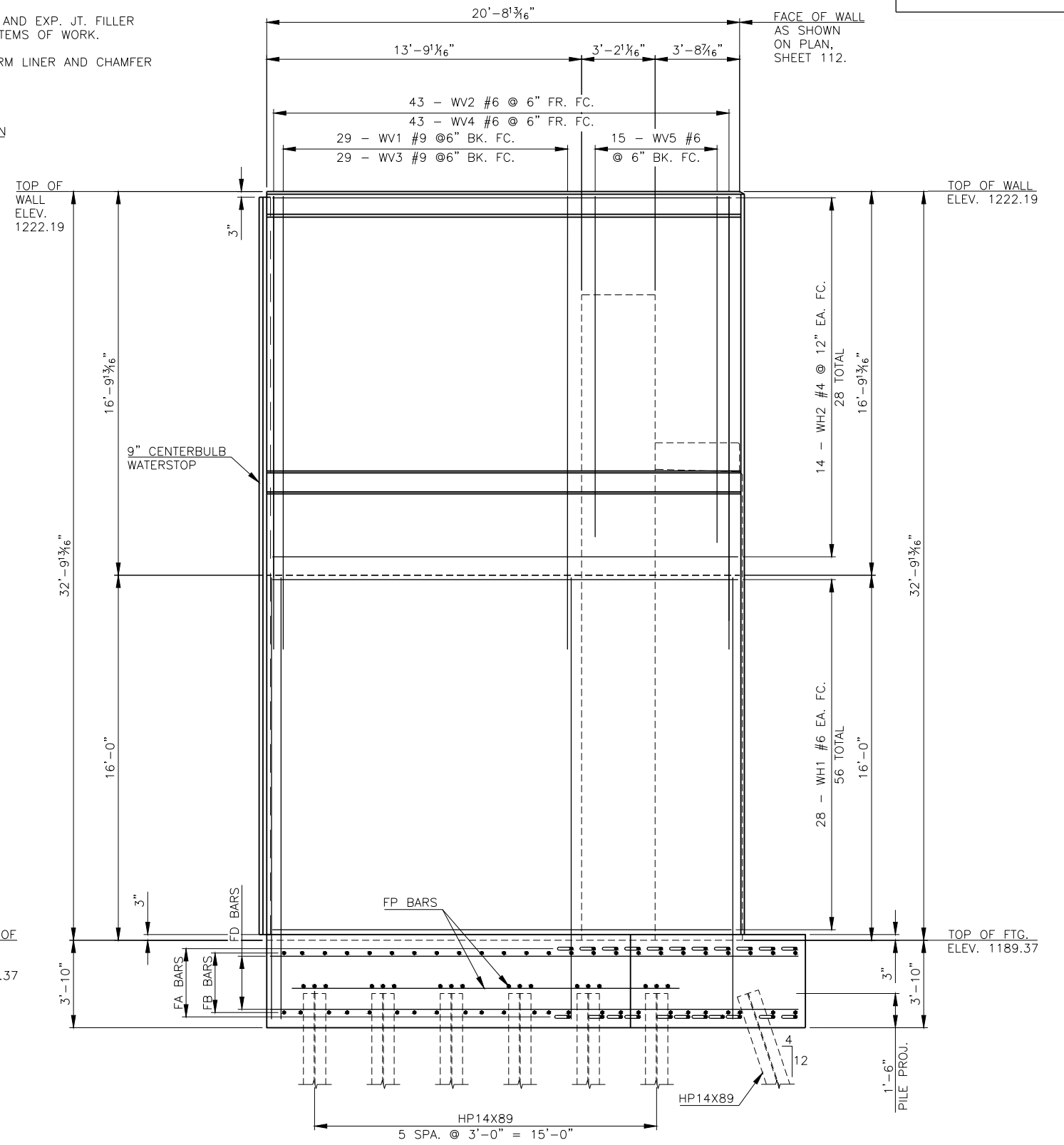
NOTES:
 WALL DIMENSIONS SHOWN AT THE TOP OF THE BACK FACE OF THE WING WALL.
 FOR ADDITIONAL DETAIL OF FOOTING REINFORCEMENT, SEE THE FOOTING REINFORCEMENT PLAN ON SHEET 113.
 WATER STOP SHALL BE PLACED FROM TOP OF FOOTING TO 3'-6" FROM TOP OF WALL AND EXP. JT. FILLER SHALL BE PLACED THE FULL HEIGHT OF WALL. COST SHALL BE INCLUDED IN OTHER ITEMS OF WORK.
 FOR DETAIL OF CLEAR COVER WITH FORM LINER, SEE SHEET 115. FOR DETAIL OF FORM LINER AND CHAMFER STRIPS, SEE SECTION C-C THROUGH E-E ON SHEET 115.



**EXPANSION JOINT
 WING WALL JOINT DETAILS**



SECTION THRU WING



WING ELEVATION

PLACE ALL WH WING REINFORCING TIED TO ABUTMENT SEAT AND BACKWALL REINFORCING PRIOR TO PLACING ABUTMENT SEAT AND BACKWALL CONCRETE.

DESIGN	T.A.C.	OKLAHOMA CITY BLVD. OVER	OKLAHOMA COUNTY
DRAWN	R.A.P.	CLASSEN BLVD.	BRIDGE B
CHECKED	T.A.C.	ABUTMENT NO. 2 - WING DETAILS	
APPROV.	T.A.C.		
SQUAD	CEC	JOB PIECE NO. 17428(88)	SHEET NO. 116